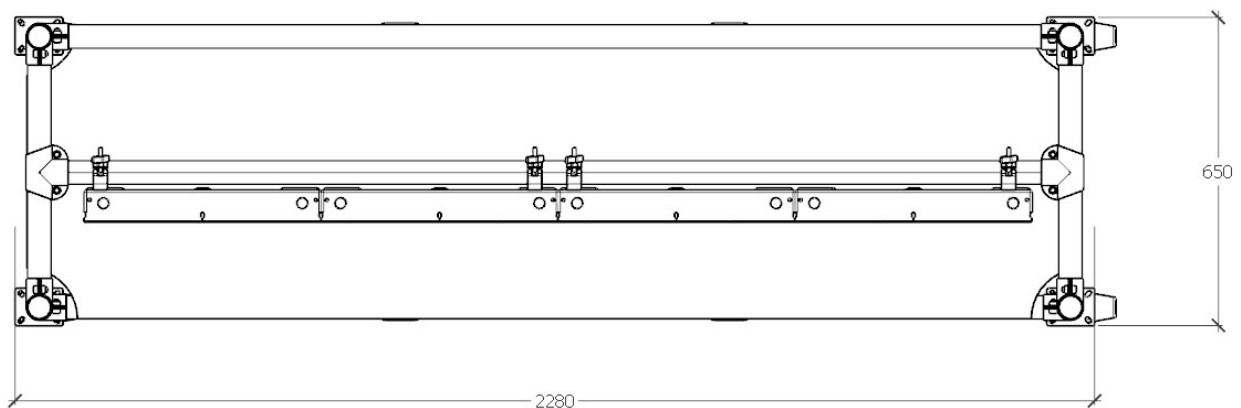
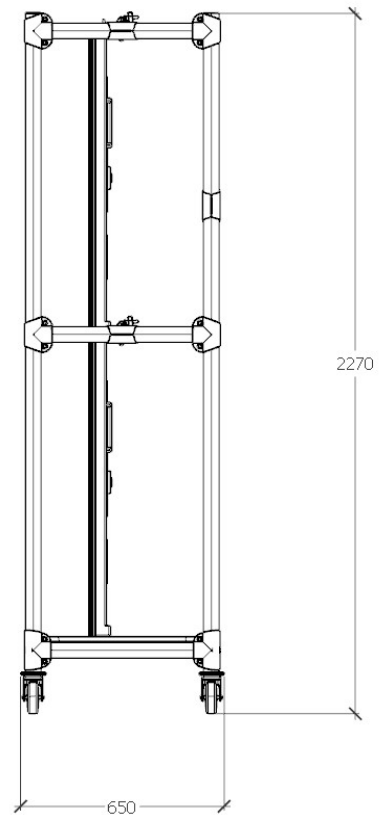
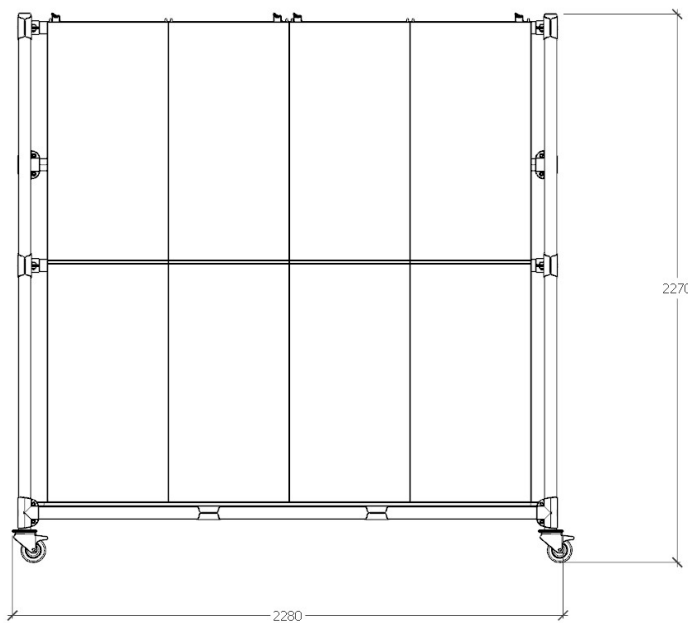
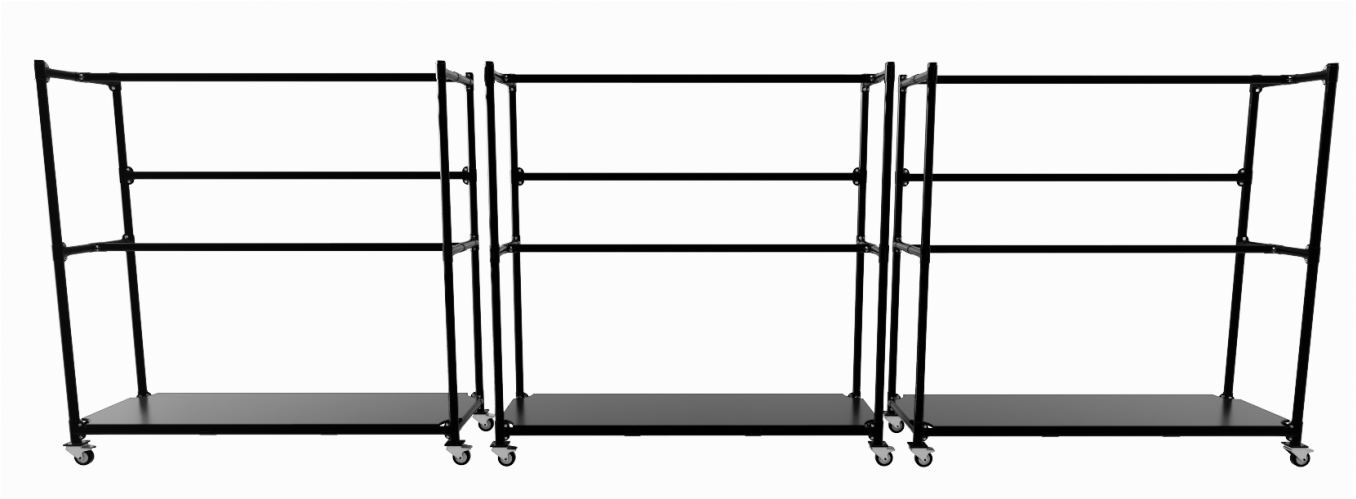


APE O1 - LED SCREEN 2X2 - B2B TECHNICAL DOCUMENT & BUSINESS PRICE

APE O1 is a structure for supporting a 2-meter by 2-meter screen, positioned inside the dolly. It measures 230 cm in width, 220 cm in height, and 60 cm in depth. It travels preassembled and does not require assembly but only needs to be wired to the next screen or directly to the control sender card.

- Height: 2270 mm
- Width : 2280 mm
- Depth : 650 mm





RESOURCES FOR YOUR PROJECTS :

- Vectorworks Symbol
- DWG
- Sketchup
- C4D

OPTIONAL

- STAB 01 - Coupler set for stabilizing
<https://www.4096touring.com/product-details/stab-01-optional-support-for-dollies/>

